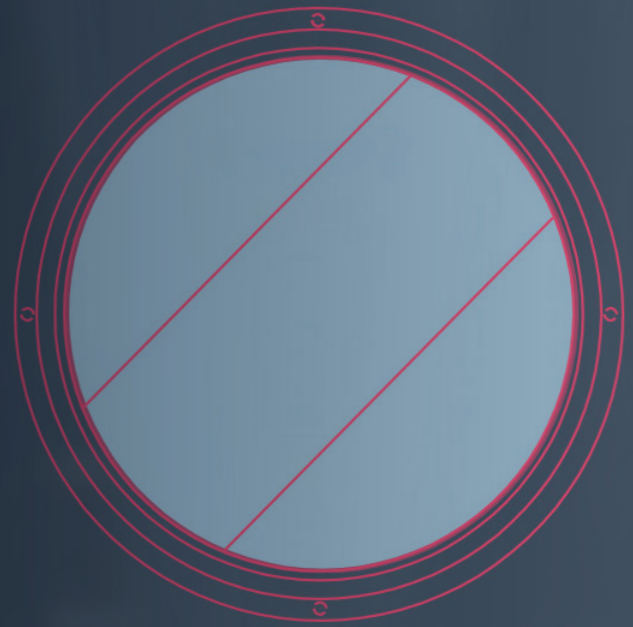


Sealeck 30 Series

WINDOWS AND GLASS



A centrally glazed, circular vision panel to suit low to medium level bio-containment doors.

ARA Manufacture's Sealeck 30 series circular glass vision panels have a clear visible areas up to 495mm in diameter and suit the requirements of your low to medium PC2 or PC3 bio-containment door.



OVERVIEW

With a metal spun circular frame, these vision panels are made from 6.38mm laminated safety glass. The vision panel frame is sealed to the door surface with visible screw fixings to one side only to limit bacteria collection areas. The vision panel frame can be powder-coated to match the door colour.

APPLICATIONS

ARA Manufacture's vision panels are suitable for low and some medium level bio-containment doors (PC2 and some PC3).

SPECIFICATIONS

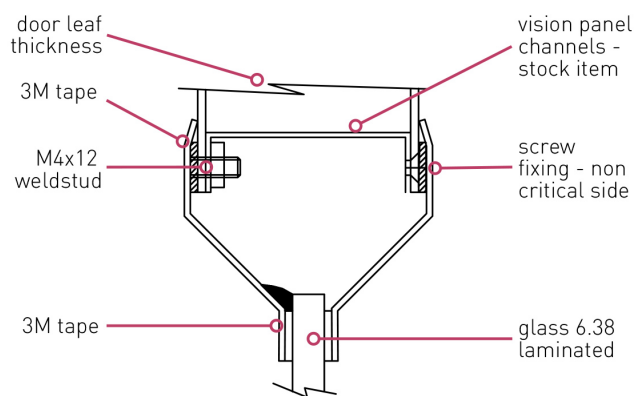
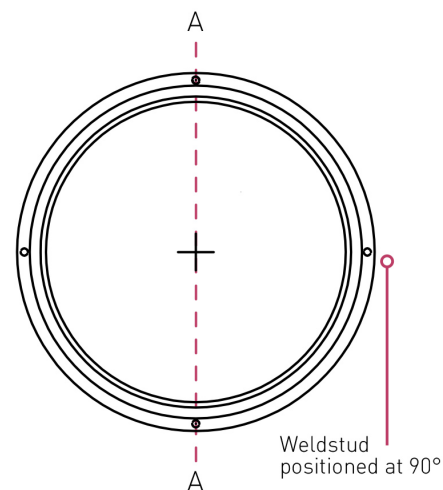
Glass thickness: 6.38mm up to 12mm

Clear vision area: 495mm diameter

Door leaf thickness: 35mm to 42mm

Frame: The spun vision panel frame is manufactured using galvabond or galvanneal steel (powder-coated), or 304 grade stainless steel finished to match the door surface.

Fixings: Countersunk Allen head fixings to non-critical side only to allow clean secure side without fixings. Fixing holes to non-critical side can be provided with optional plastic plugs/covers.



Section A-A