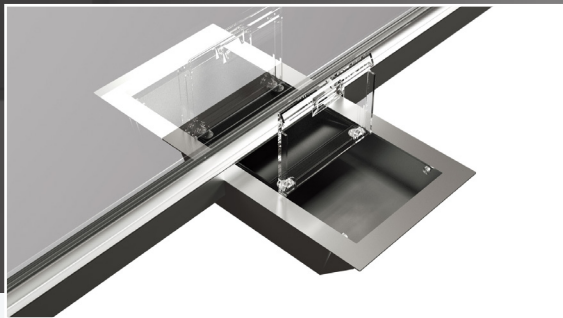


# Securaguard Ticket Window

COUNTERS AND PASS THROUGHS



## Safely transferring notes, coins and tickets.

ARA Manufacture's Sealeck Securaguard ticket window is a shallow tray incorporated below a fixed window unit to allow the safe transfer of notes, coins and tickets from one side to the other.



## OVERVIEW

Designed to fit into a preformed wall opening, the Securaguard ticket window provides its own counter section – no additional joinery is required.

Both the upper and lower sections of the unit including the integrated tray are made from stainless steel 304 #4 finish and can be optionally powder-coated.

For easy on-site assembly and installation, the Securaguard ticket window frame base, glass and glazing tape are supplied in a kit form. Custom made, the tray's clearance can be increased and voice grills laser cut for easy communication on request.

The material components of the ticket window meet G0, G1, G2, R1 or S1 bullet resistance to Australian standard AS/NZ 2343: PART 2: 1984.

## APPLICATIONS

ARA Manufacture's Sealeck Securaguard ticket window is typically used for train station windows, secure parking booths and other companies requiring secure transfer of cash and small items.

## SPECIFICATIONS

- **Window size:** standard window size is 800mm wide x 1190mm high x 440mm deep
- **Tray size:** 320mm wide x 50mm sloped depth.
- **Finish:** standard 304 #4 stainless steel.

This product has not been tested to the updated as2343 1997 standard. This updated standard requires the complete product to be tested and as a result it is possible that airgaps intended to enable document pass through could be breached by a small handgun, thus resulting in a test failure and non-compliance with the updated standard.

# Securaguard Ticket Window

