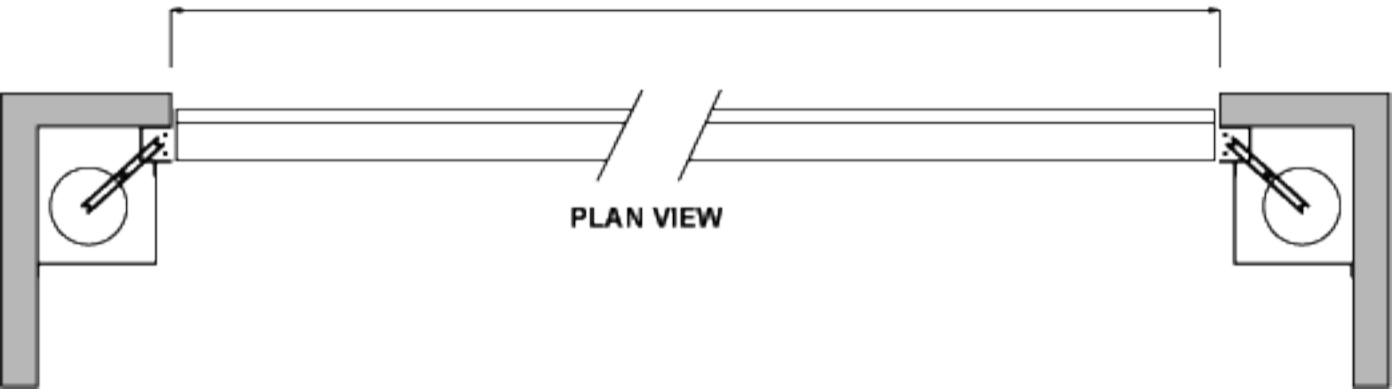


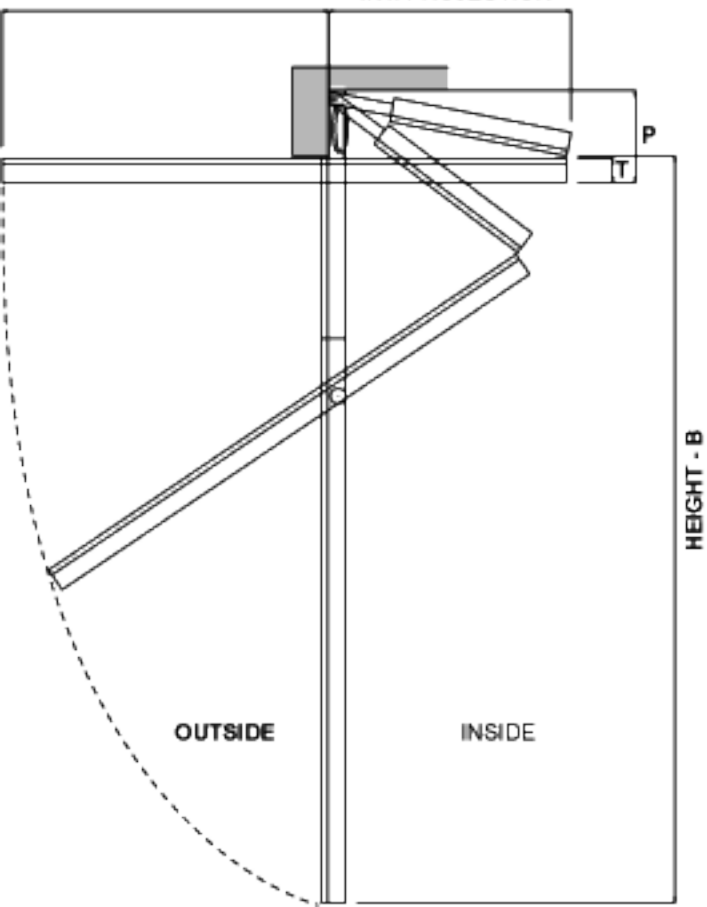
**DOOR WIDTH - A**



**PLAN VIEW**

EXT. PROJECTION

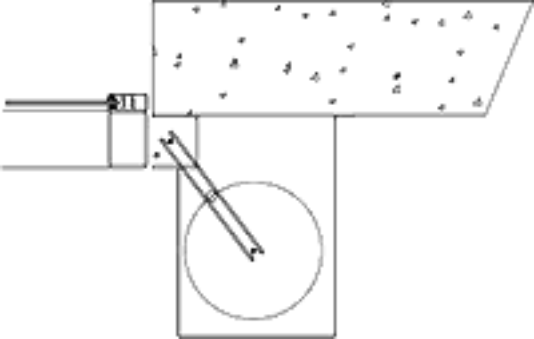
INT. PROJECTION

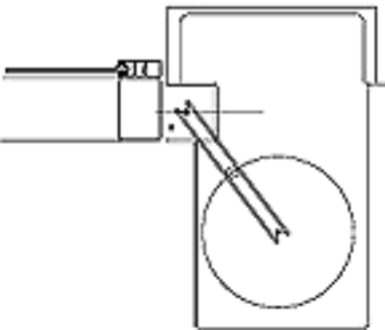


HEIGHT - B

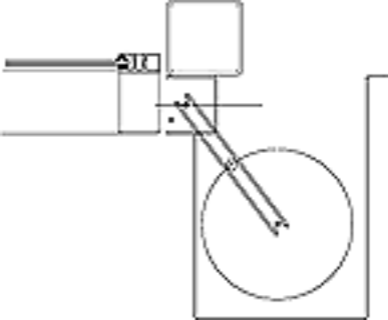
OUTSIDE

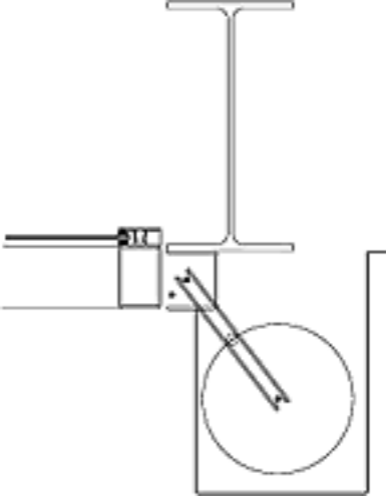
INSIDE

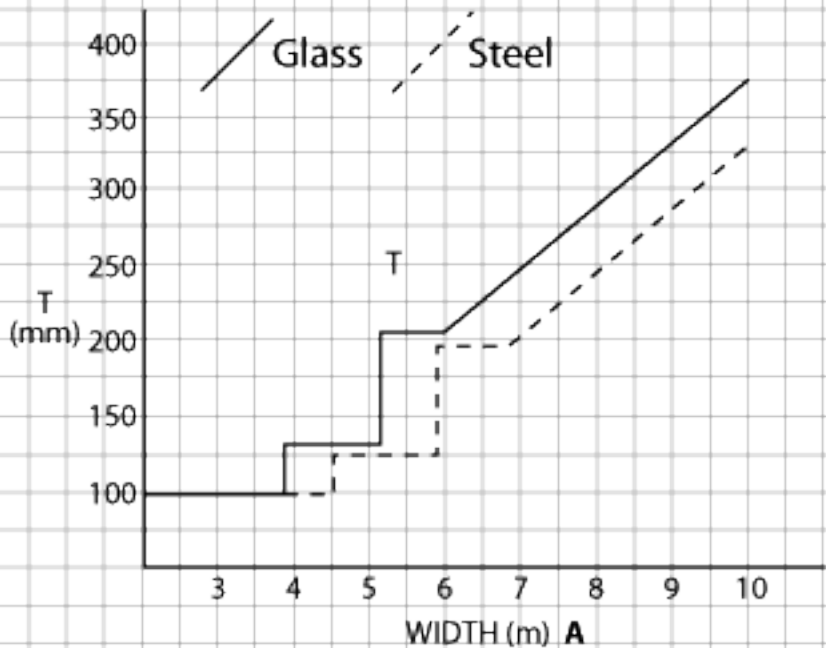


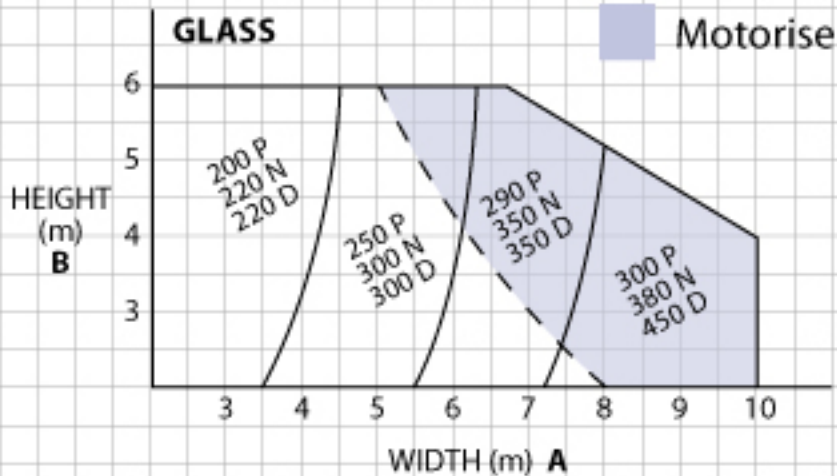




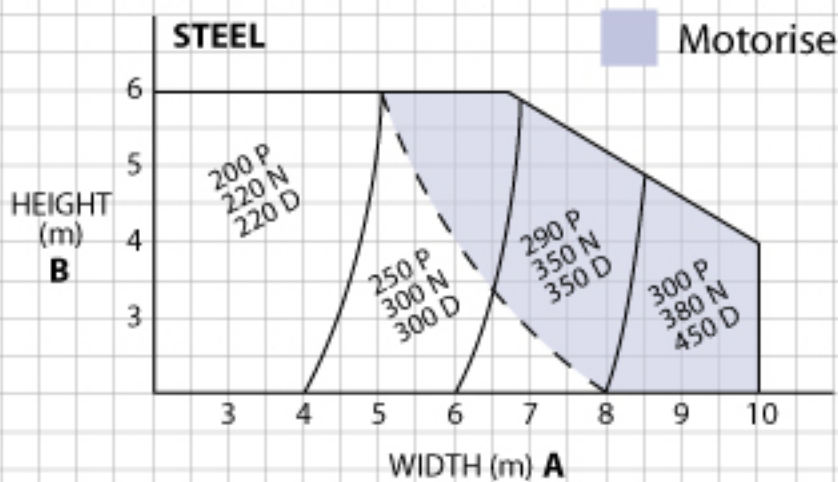




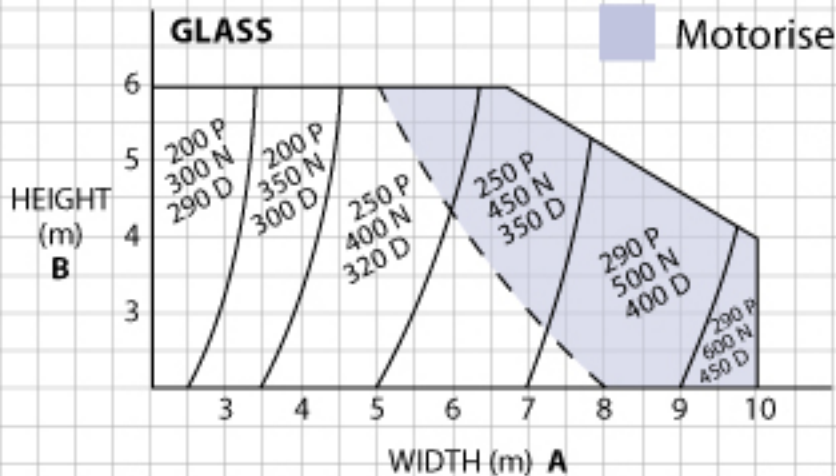




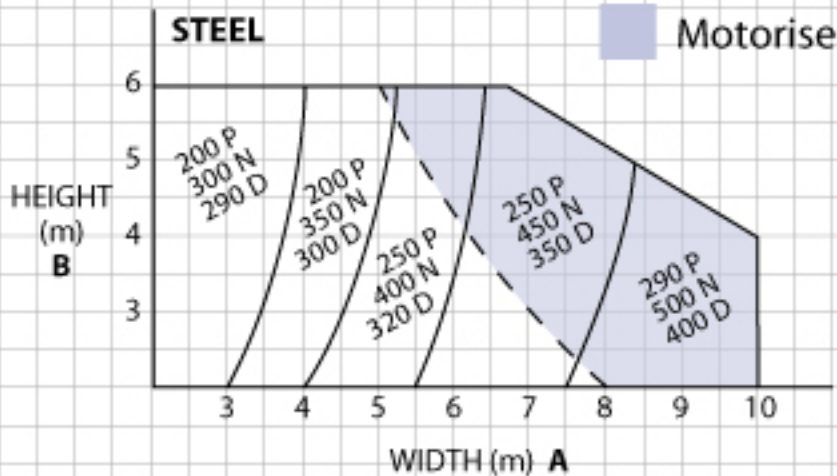
**P = Pulley Headroom - min 430 for motorised**  
**N = Room Width - add 25 for motorised**  
**D = Room Depth**



P = Pulley Headroom - min 430 for motorised  
 N = Room Width - add 25 for motorised  
 D = Room Depth



**P = Pulley Headroom - min 430 for motorised**  
**N = Room Width - add 25 for motorised**  
**D = Room Depth**



**P = Pulley Headroom - min 430 for motorised**  
**N = Room Width - add 25 for motorised**  
**D = Room Depth**