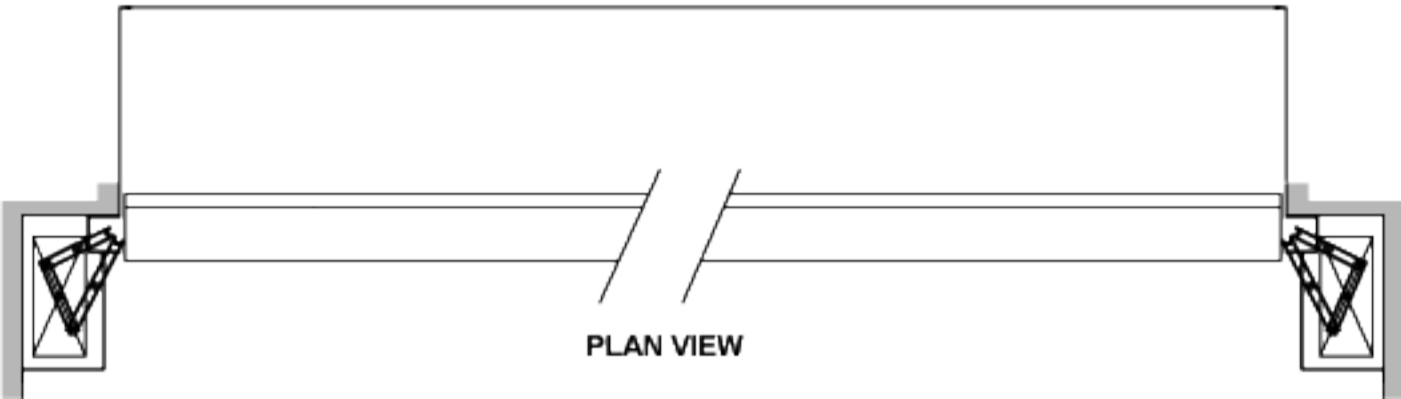
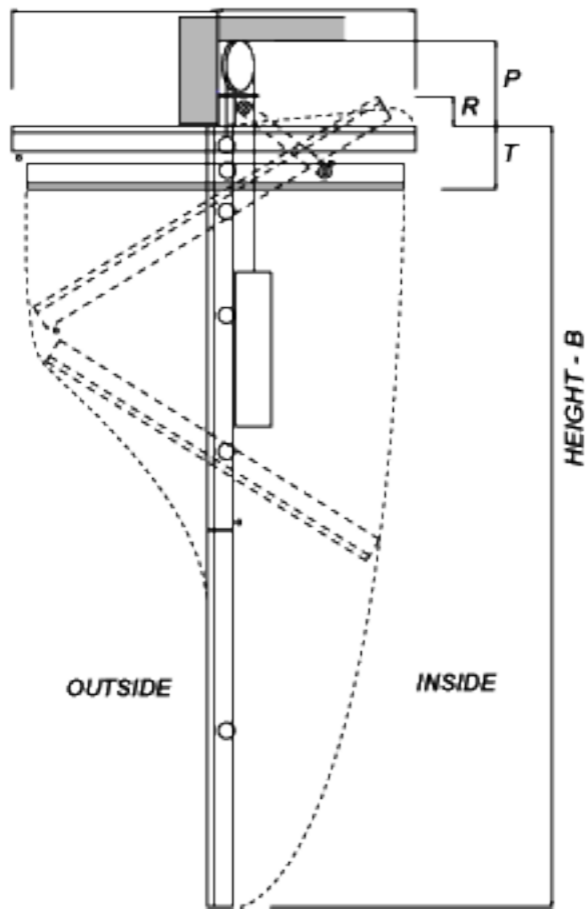
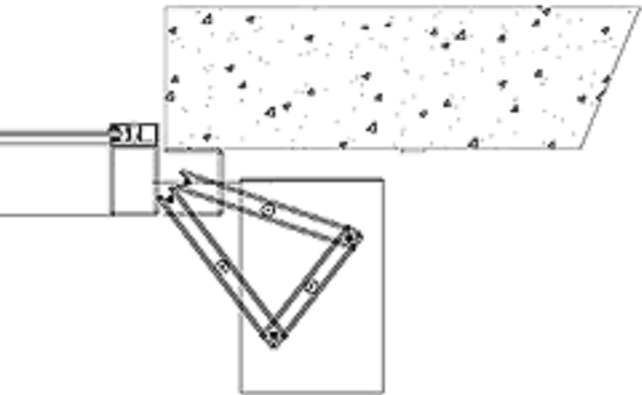


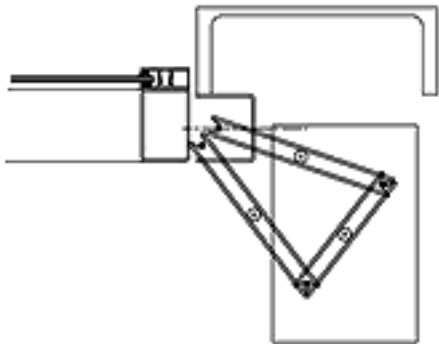
DOOR WIDTH - A

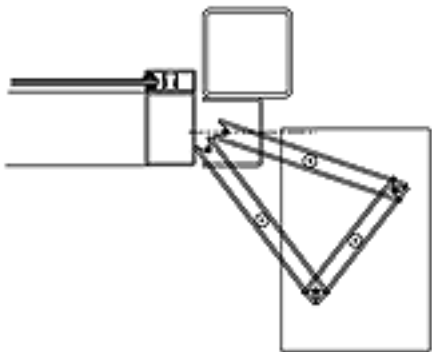


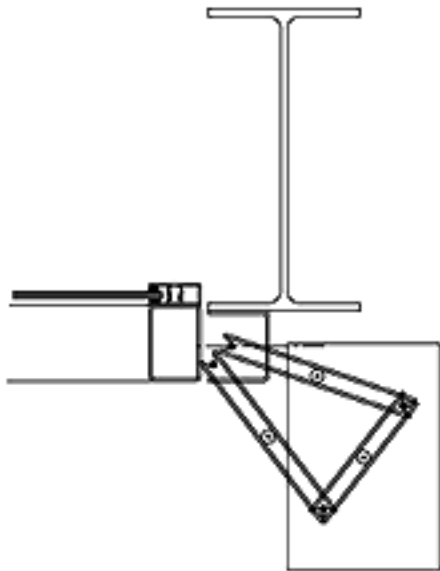
EXT. PROJECTION INT. PROJECTION











PROJECTION (m)

2

1

0

1

2

3

4

5

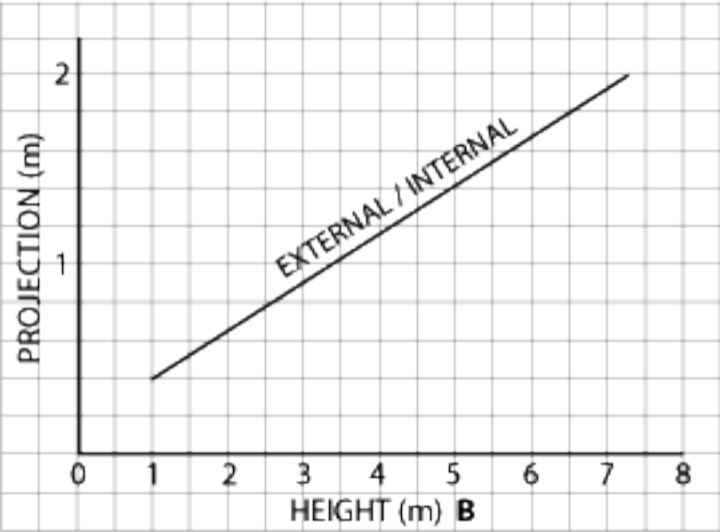
6

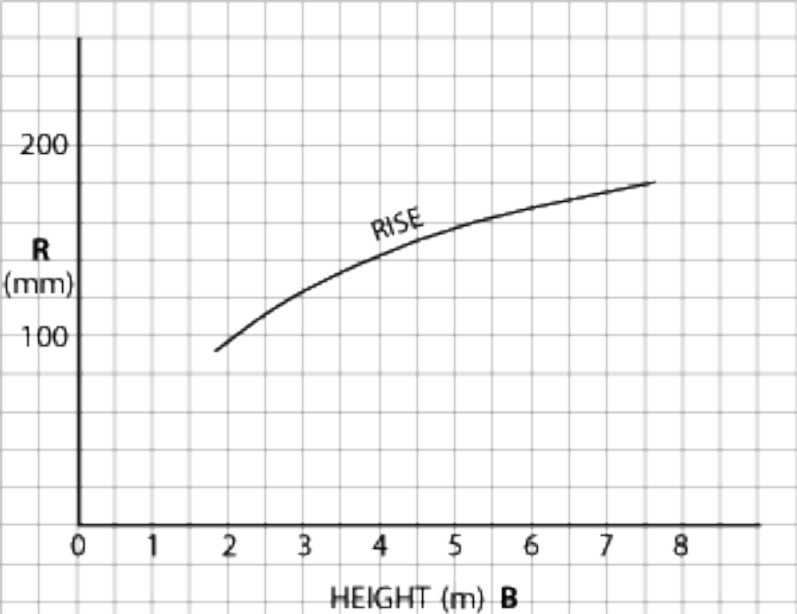
7

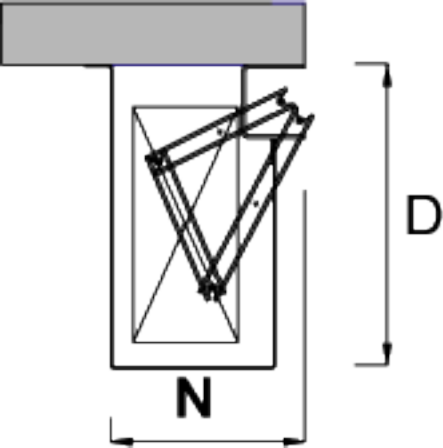
8

EXTERNAL / INTERNAL

HEIGHT (m) **B**

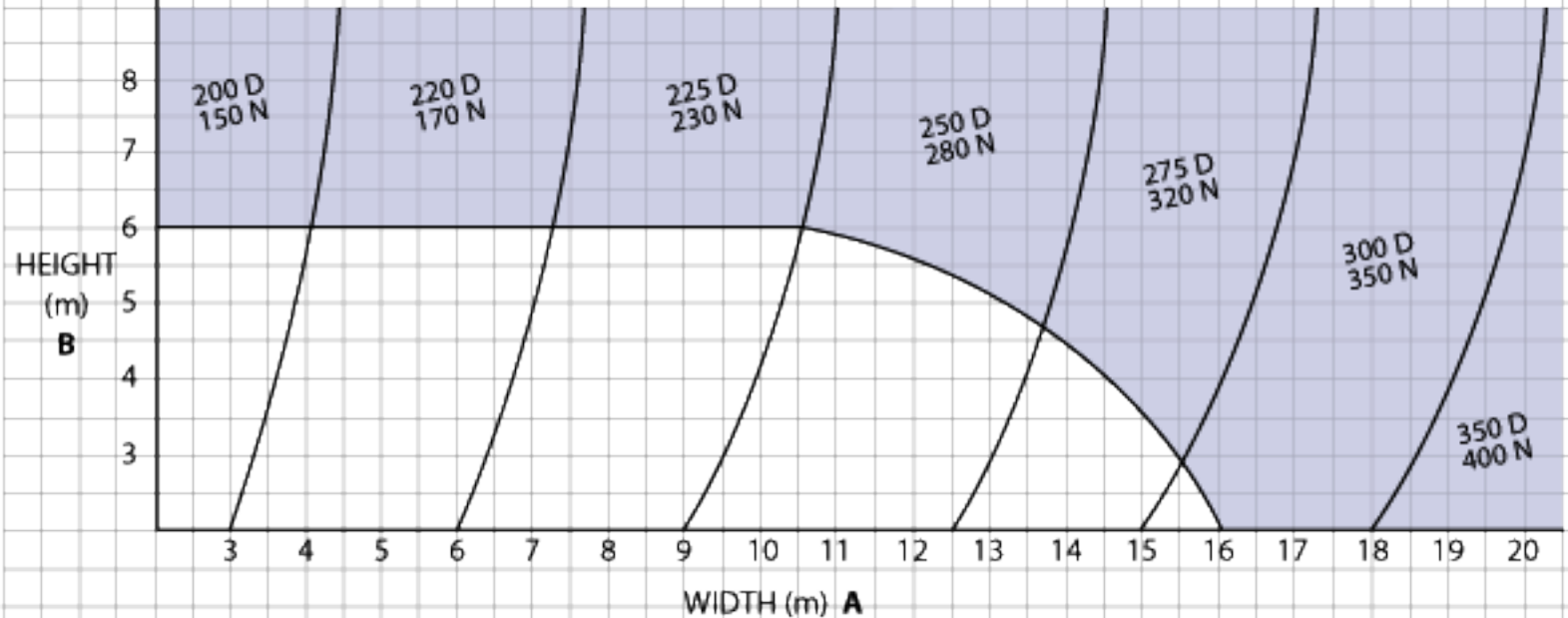






Steel

■ Motorise

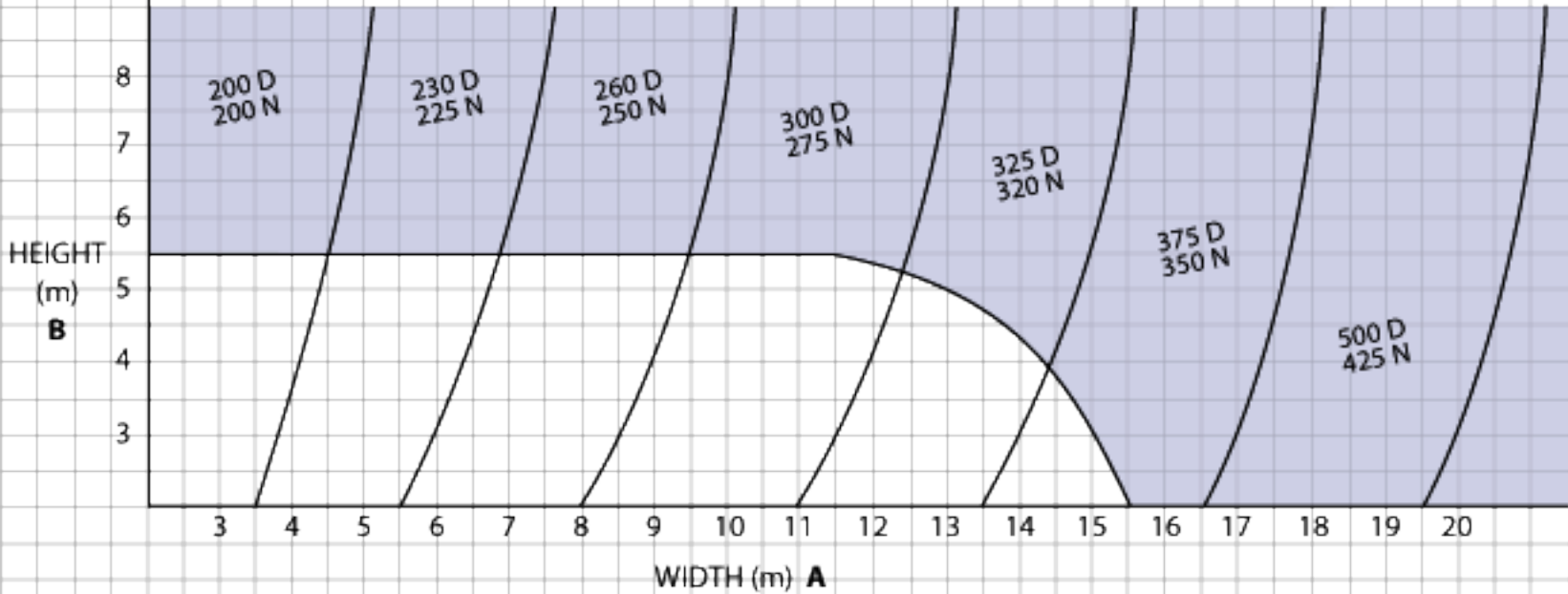


D = Depth N = Width

STEEL																		
A	Width (m)	3	4	5	6	7	8	9	10	11	12	13	14	15	16	17	18	19
T	Thickness (mm)	210	240	260	260	310	320	350	400	420	420	465	465	465	515	515	565	565
T	Dimensions allow for 25 Cladding Depth																	
P	Pulley HR (mm)	200	200	250	250	260	260	300	300	300	380	380	380	380	380	400	400	400
P	Minimum headroom 450 required for motorisation																	

Glass

■ Motorise



D = Depth N = Width

GLASS																		
A	Width (m)	3	4	5	6	7	8	9	10	11	12	13	14	15	16	17	18	19
T	Thickness (mm)	230	250	270	310	320	350	400	420	420	465	465	485	515	515	565	565	600
T	Dimensions allow for 25 deep glazing beads																	
P	Pulley HR (mm)	200	250	250	260	260	300	300	300	380	380	380	380	380	400	400	400	400
P	Minimum headroom 450 required for motorisation																	

Renlita Overhead Doors has a continuous program of product development and reserves the right to change specifications at any time without notice.

