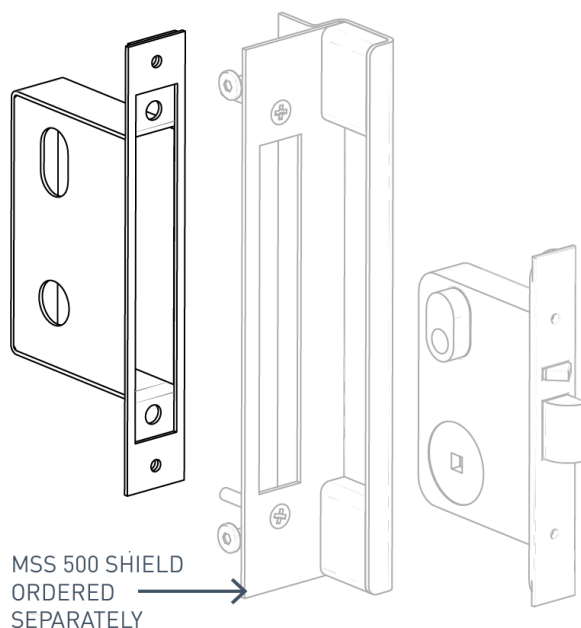


Multilock Box 50

MLB-50



OVERVIEW

The MultiLock Box 50 (MLB-50) Single Lock Box Insert is used in conjunction with the MSS-500. The MLB-50 provides additional protection from lock tampering & natural elements.

Having both the MSS-500 and MLB-50 mechanically fixed together creates a more secure door set with additional strength and integrity.

DOOR SUITABILITY

- Used on timber door sets
- Can also be used to encase locks into aluminium or steel gates
- Suitable for minimum 45mm thick doors

FIRE RATING



Fire rated up to 240 minutes

ZONE 2