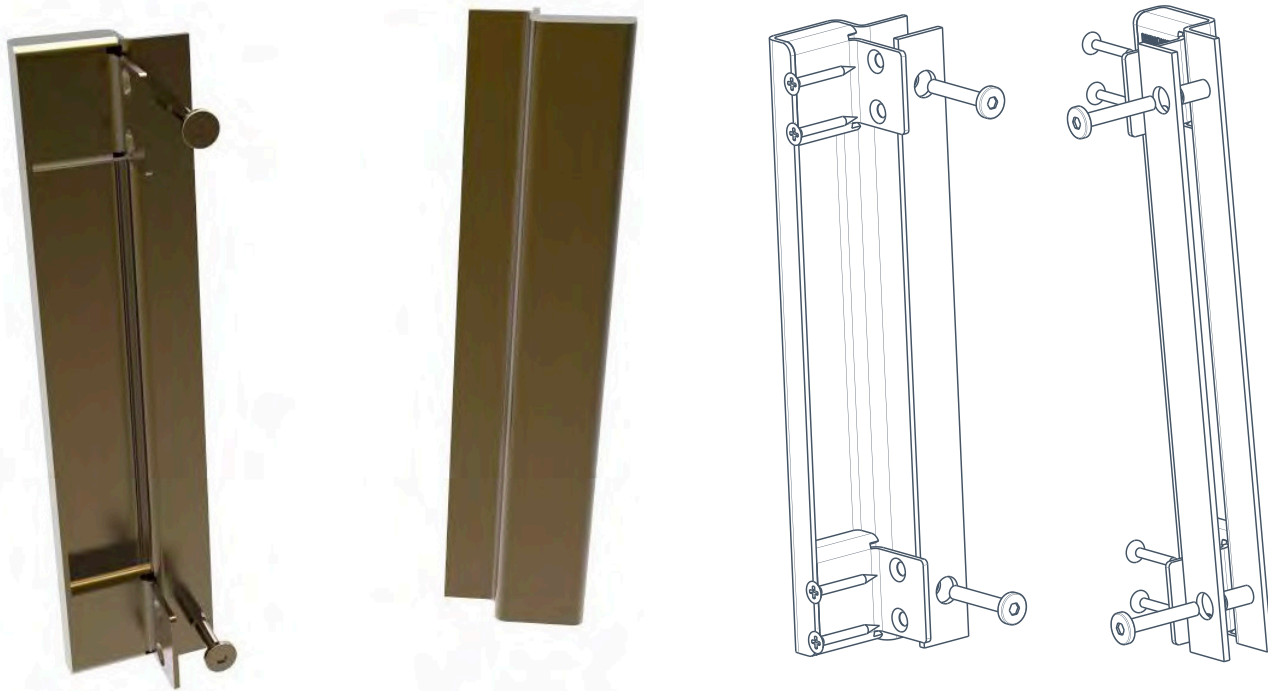


Multilock Strike Shield 200 Brass Patina

MSS-200-B



OVERVIEW

The Multilock Strike Shield 200 Brass (**MSS-200-B**) is designed to protect and secure single lock from tampering. Additional depth internally prevents Electric Strikes from binding when the Electric Strike protrudes past the frame edge reveal.

Corner fixing tabs are placed on the leading edge of the door and door face. The **MSS-200-B** can be surface mounted or recessed into the door. An additional face packing plate is supplied for installation assistance when lock centers are off set.

DOOR SUITABILITY

- **MSS-200-B** is used for single lock configuration in both secure and non secure applications.
- Suitable for 35mm - 55mm thick doors.
- Machined from solid brass.

ZONE 2