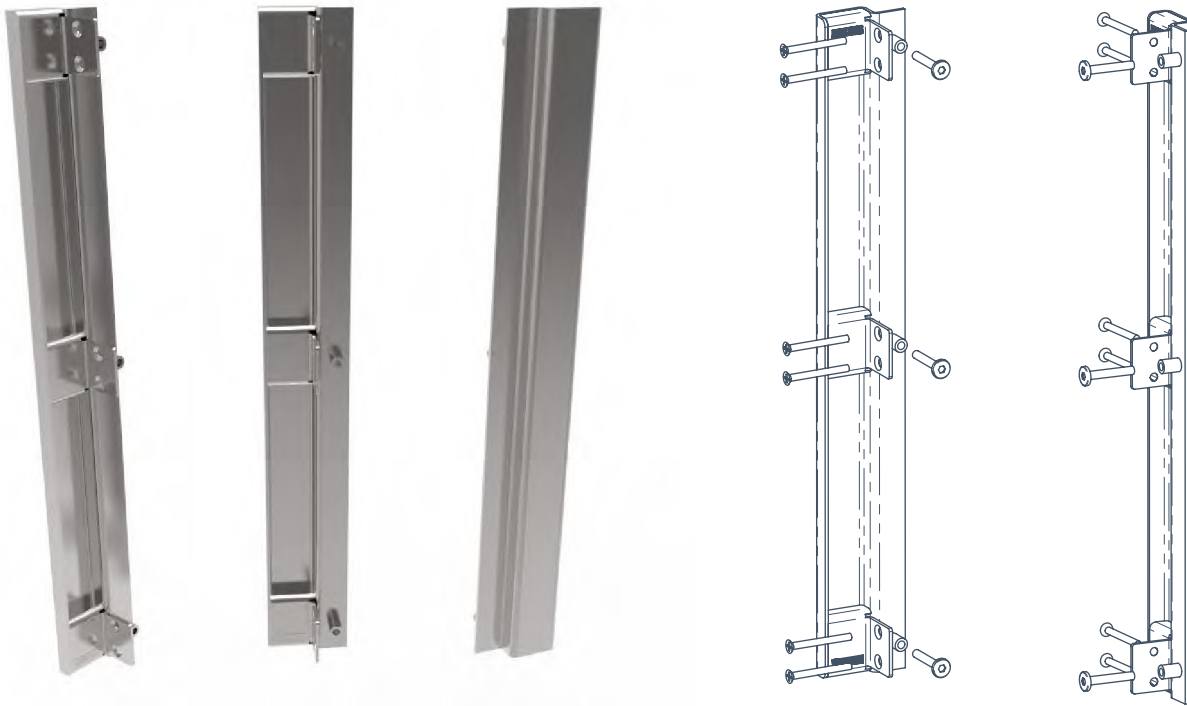


Multilock Strike Shield 2000

MSS-2000



OVERVIEW

The Multilock Strike Shield 2000 (MSS-2000) is designed to protect and secure dual locks from tampering. Additional depth internally prevents Electric Strikes from binding when the Electric Strike protrudes past the frame edge reveal.

Corner fixing tabs are placed on the leading edge of the door and door face.

The MSS-2000 can be surface mounted or recessed into the door. An additional face packing plate is supplied for installation assistance when lock centers are off set.

DOOR SUITABILITY

- MSS-2000 is used for double lock configuration in both secure and non secure applications.
- Suitable for 35mm - 55mm thick doors.
- Machined from 316 stainless steel.

FIRE RATING

Fire rated up to 240 minutes



ZONES 3 TO 5 APPLICABLE

MSS-2000

Multilock Strike Shield 2000

